



MOP-TFT480272-43A-BLM-TPN

Hardware Manual

Revision 1.0

Revision History

| Revision | Date | Description | Author |
|----------|--------------|-----------------|--------|
| 1.0 | May 26, 2017 | Initial Release | Divino |



Contents

| | |
|---|----|
| Revision History | 1 |
| Contents | 2 |
| 1 General Information | 3 |
| 2 Absolute Maximum Ratings..... | 3 |
| 3 Electrical Characteristics..... | 3 |
| 4 Backlight Characteristics..... | 3 |
| 5 External Dimensions..... | 4 |
| 6 Electro-Optical Characteristics | 5 |
| 7 Interface Description | 6 |
| 7.1 LCM Interface Description | 6 |
| 8 AC Characteristics | 7 |
| 8.1 Pixel Timing..... | 7 |
| 8.2 Data Timing..... | 8 |
| 9 Power Sequence | 9 |
| 9.1 Power On Sequence | 9 |
| 9.2 Power Off Sequence | 9 |
| 10 Inspection Criterion | 10 |
| 10.1 Description | 10 |
| 10.2 Sample plan | 10 |
| 10.3 Inspection condition | 10 |
| 10.4 Definition of inspection zone in LCD..... | 10 |
| 11 Inspection criterion | 10 |
| 11.1 Function Defect | 10 |
| 11.2 LCD pixel defect | 11 |
| 11.3 Dot and line defect | 11 |
| 12 Handling Precautions..... | 12 |
| 12.1 Mounting method | 12 |
| 12.2 LCD Handling and Cleaning Precaution | 12 |
| 12.3 Static Charge Precaution | 12 |
| 12.4 Packing..... | 12 |
| 12.5 Precautions during Operation..... | 12 |
| 12.6 Storage Recommendations | 13 |
| 12.7 Safety Precautions | 13 |
| 13 Ordering | 14 |
| 13.1 Part Numbering Scheme..... | 14 |
| 13.2 Options | 14 |
| 14 Contact | 14 |



1 General Information

| No. | Item | Contents | Unit |
|-----|--------------------------------|--|-----------------|
| 1 | LCD size | 4.3 inch (Diagonal) | / |
| 2 | LCD type | TN/Normally white/Transmissive(Anti-glare) | / |
| 3 | Viewing direction(eye) | 12 O'clock | / |
| 4 | Gray scale inversion direction | 6 O'clock | / |
| 5 | Resolution(H*V) | 480 *272 Pixels | / |
| 6 | Module size (L*W*H) | 105.4*67.1*2.95 | mm ³ |
| 7 | Active area (L*W) | 95.04*53.856 | mm ² |
| 8 | Pixel pitch (L*W) | 0.198*0.198 | mm ² |
| 9 | Interface type | RGB interface | / |
| 10 | Module power consumption | 0.0792(without backlight) | W |
| 11 | Back light type | LED | / |
| 12 | Driver IC | ILI6480BQ or compatible | / |
| 13 | Weight | 45 | g |

2 Absolute Maximum Ratings

| Item | Symbol | Min | Max | Unit |
|----------------------------------|--------|------|---------------|------|
| Power supply input voltage (LCM) | VDD | -0.5 | 5.0 | V |
| Backlight current (normal temp.) | ILED | - | 50 | mA |
| Operation temperature | Top | -20 | 70 | °C |
| Storage temperature | Tst | -30 | 80 | °C |
| Humidity | RH | - | 90%(Max60 °C) | RH |

3 Electrical Characteristics

DC Characteristics (at Ta=25 °C)

| Item | Symbol | Min | Typ | Max | Unit |
|--|--------|---------|-----|---------|------|
| Power supply input voltage (LCM) | VDD | 3.0 | 3.3 | 3.6 | V |
| I/O logic voltage | VDDIO | 1.8 | - | 3.3 | V |
| Input voltage 'H' level | VIH | 0.7VDDI | - | VDDI | V |
| Input voltage 'L' level | VIL | VSS | - | 0.3VDDI | V |
| Power supply current | IVDD | - | 24 | - | mA |
| TFT gate on voltage | VGH | - | N/A | - | V |
| TFT gate off voltage | VGL | - | N/A | - | V |
| Analog power supply voltage | AVDD | - | N/A | - | V |
| Differential input common mode voltage | Vcom | - | N/A | - | V |

4 Backlight Characteristics

(at Ta=25 °C, RH=60%)

| Item | Symbol | Min. | Typ. | Max. | Unit | Note |
|-----------------------|--------|----------------------------|------|------|------|---------|
| LED forward voltage | VF | - | 15 | - | V | IF=40mA |
| LED forward current | IF | - | 40 | - | mA | |
| LED power consumption | PLED | - | 0.6 | - | W | *Note |
| Number of LED | - | | 10 | | PCS | |
| Connection mode | - | 5 in series, 2 in parallel | | | / | |
| LED life-time | - | 20000 | - | - | Hrs | **Note |

***Note:** Calculate Value for reference $IF \times VF = PLED$

****Note:** The LED Life-time is defined as the estimated time to 50% degradation of initial brightness at Ta=25°C and IF =40mA. The LED lifetime could be decreased if operating IF is larger than 40mA, and increased if IF is less than 40mA.



5 External Dimensions

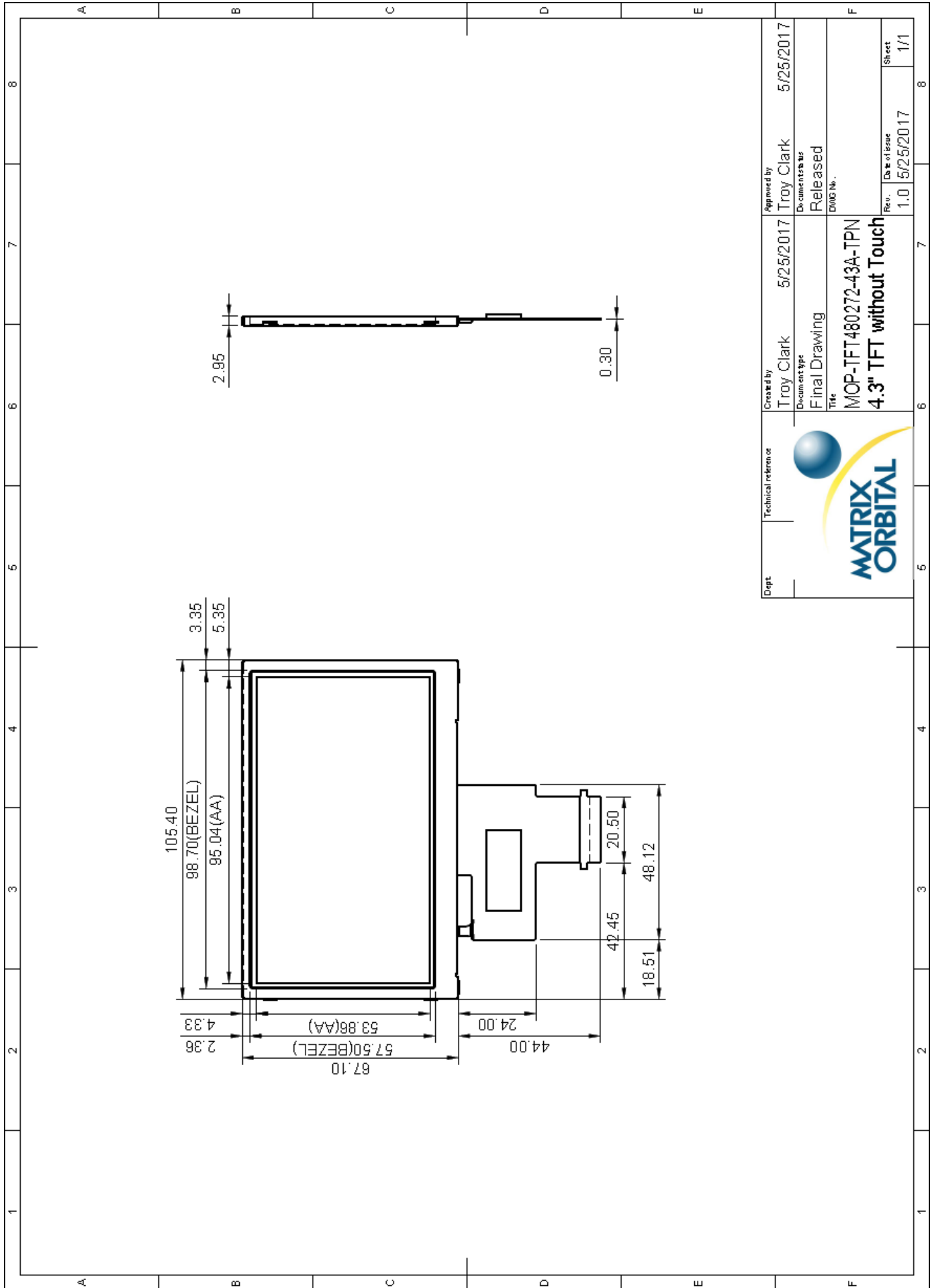


Figure 1: MOP-TFT480272-43A-BLM-TPN Drawing



6 Electro-Optical Characteristics

| Item | Symbol | Condition | Min | Typ | Max | Unit | Remark | Note |
|-------------------------|----------|--|--------|--------|--------|-------------------|------------------|--------|
| Response time | Tr+ Tf | - | - | 15 | 24 | ms | FIG.1 | Note 4 |
| Contrast ratio | Cr | | 380 | 500 | - | - | FIG.2 | Note 1 |
| Surface luminance | Lv | $\theta=0^\circ$ | 410 | 520 | - | cd/m ² | FIG.2 | Note 2 |
| Luminance uniformity | - | $\theta=0^\circ$ | 75 | 80 | - | % | FIG.2 | Note 3 |
| NTSC | - | $\theta=0^\circ$ | - | 50 | - | % | FIG.2 | Note 5 |
| Viewing angle | θ | $\varnothing = 90^\circ$ | 60 | 70 | - | deg | FIG.3 | Note 6 |
| | | $\varnothing = 270^\circ$ | 40 | 50 | - | deg | FIG.3 | |
| | | $\varnothing = 0^\circ$ | 60 | 70 | - | deg | FIG.3 | |
| | | $\varnothing = 180^\circ$ | 60 | 70 | - | deg | FIG.3 | |
| CIE (x, y) chromaticity | Red x | $\theta=0^\circ$ $\varnothing=0^\circ$ Ta=25°C | 0.5344 | 0.5744 | 0.6144 | - | FIG.2 CIE1931 | Note 5 |
| | Red y | | 0.2963 | 0.3363 | 0.3763 | - | | |
| | Green x | | 0.3098 | 0.3498 | 0.3898 | - | | |
| | Green y | | 0.5595 | 0.5995 | 0.6395 | - | | |
| | Blue x | | 0.1032 | 0.1432 | 0.1832 | - | | |
| | Blue y | | 0.0607 | 0.1007 | 0.1407 | - | | |
| | White x | | 0.2792 | 0.3192 | 0.3592 | - | | |
| | White y | | 0.3145 | 0.3545 | 0.3945 | - | | |

***Note 1:** Definition of contrast ratio

Contrast Ratio (CR) is defined mathematically by the following formula.

$$\text{CONTRAST RATIO} = \frac{\text{Luminance measured when LCD on the "White" State}}{\text{Luminance measured when LCD on the "Black" State}}$$

***Note 2:** Definition of surface luminance

Surface luminance is the LCD luminance from the surface with all pixels displaying white.

$$L_v = \text{Average Surface Luminance with all white pixels (P1, P2, P3 ... Pn)}$$

***Note 3:** Definition of luminance uniformity

The luminance uniformity in surface luminance (Yu) is determined by measuring luminance at each test position 1 through n, and then dividing the maximum luminance of n point's luminance by minimum luminance of n points luminance.

$$Y_u = \frac{\text{Minimum Surface Luminance with all white pixels (P1, P2, P3 ... Pn)}}{\text{Maximum Surface Luminance with all white pixels (P1, P2, P3 ... Pn)}}$$

***Note 4:** Definition of Response time

The response time is defined as the LCD optical switching time interval between "White" state and "Black" state. Rise time (TON) is the time between photo detector output intensity changed from 90% to 10%. And fall time (TOFF) is the time between photo detector output intensity changed from 10% to 90%.

***Note 5:** Definition of color chromaticity (CIE1931)

CIE (x, y) chromaticity, the x, y value is determined by screen active area center position P5.

***Note 6:** Definition of Viewing angle.

Viewing angle is the angle at which the contrast ratio is greater than 10. The angles are determined for the horizontal or x axis and the vertical or y axis with respect to the z axis which is normal to the LCD surface.

For Viewing angle and response time testing, the testing data is based on Autronic-Melchers's ConoScope or DMS series Instruments or compatible. For contrast ratio, Surface Luminance, Luminance uniformity and CIE, the testing data is based on TOPCON's BM-7 or BM-5 photo detector or compatible.

***Note 7:** For TFT module, Gray scale reverse occurs in the direction of panel viewing angle.



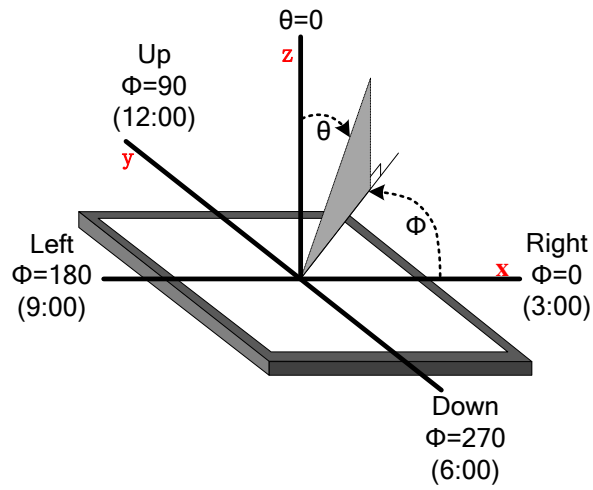


Figure 2: The definition of viewing angle

7 Interface Description

7.1 LCM Interface Description

| Interface No. | Name | I/O Pin Connections | Description |
|---------------|------------|---------------------|--|
| 1 | LEDK | P | Power for LED backlight(Cathode) |
| 2 | LEDA | P | Power for LED backlight(Anode) |
| 3 | CS | I | Chip select pin |
| 4 | VDD | P | Power for LCD |
| 5-12 | Red(0-7) | I | Red data |
| 13-20 | Green(0-7) | I | Green data |
| 21-28 | Blue(0-7) | I | Blue data |
| 29 | GND | I | Ground |
| 30 | PCLK | I | Clock signal. Latching data at the rising edge |
| 31 | DISP | I | Display on/off |
| 32 | HSYNC | I | Horizontal sync input. |
| 33 | VSYNC | I | Vertical sync input |
| 34 | DE | I | Data enable |
| 35 | SCL | I | Serial clock input |
| 36 | SDA | I/O | Serial data input |
| 37 | XR(NC) | - | No connection |
| 38 | YD(NC) | - | No connection |
| 39 | XL(NC) | - | No connection |
| 40 | YU(NC) | - | No connection |

8 AC Characteristics

8.1 Pixel Timing

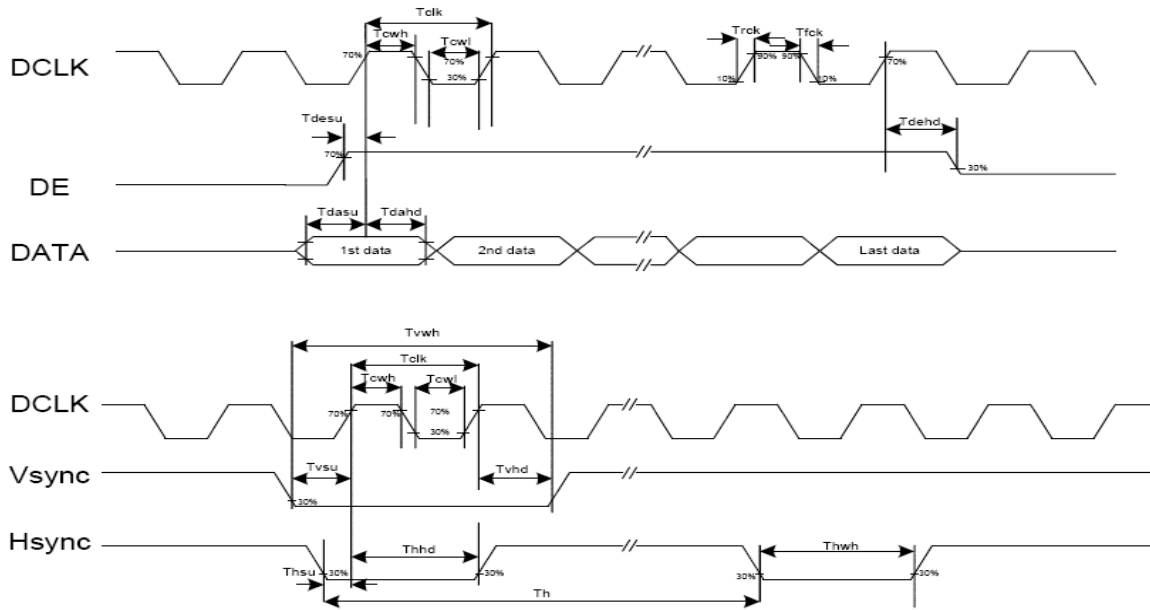


Figure 3: Pixel Timing

| Input Output Timing | | | | | | |
|--|-------|------|----|----|------|--------------------------------|
| DLCK clock time | Tclk | 33.3 | - | - | ns | DCLK = 30MHZ |
| DCLK clock low period | Tcwl | 40 | - | 60 | % | |
| DCLK clock high period | Tcwh | 40 | - | 60 | % | |
| Clock rising time | Trck | 9 | - | - | ns | |
| Clock falling time | Tfck | 9 | - | - | ns | |
| HSD width | Thwh | 1 | - | - | DCLK | |
| HSD period time | Th | 55 | 60 | 65 | μs | |
| HSD setup time | Thsu | 12 | - | - | ns | |
| HSD hold time | Thhd | 12 | - | - | ns | |
| VSD width | Tvwh | 1 | - | - | Th | |
| VSD setup time | Tvsu | 12 | - | - | ns | |
| VSD hold time | Tvhd | 12 | - | - | ns | |
| Data setup time | Tdasu | 12 | - | - | ns | |
| Data hold time | Tdahd | 12 | - | - | ns | |
| DE setup time | Tdesu | 12 | - | - | ns | |
| DE hold time | Tdehd | 12 | - | - | ns | |
| Time from VSD to 1 st line data input | Tvs | 3 | 8 | 31 | Th | HV mode By HDL[4:0] setting |



8.2 Data Timing

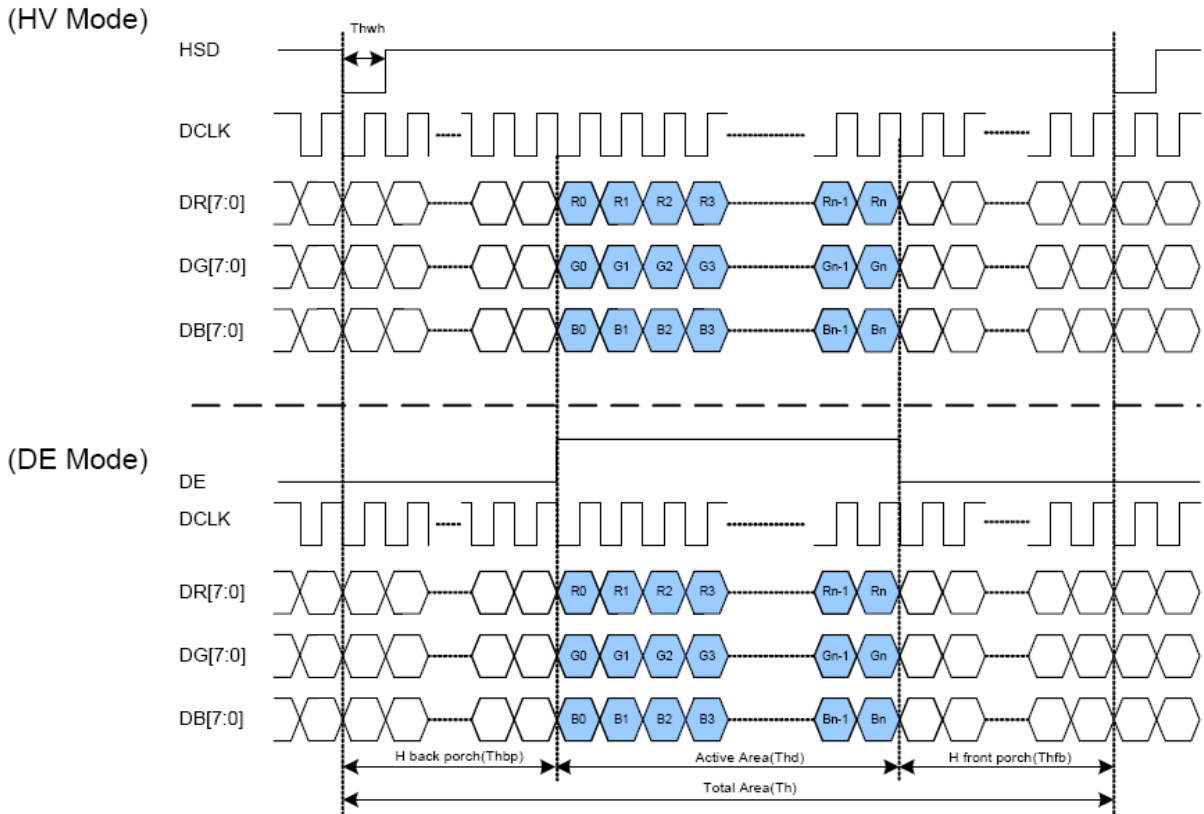


Figure 4: Data Transaction Timing in Parallel RGB (24Bit) interface (SYNC Mode)

| Parameter | Symbol | Value | | | Unit |
|------------------|-----------|-------|------|------|------|
| | | Min. | Typ. | Max. | |
| DCLK frequency | fclk | 5 | 9 | 12 | MHz |
| VSD period time | T_v | 277 | 288 | 400 | H |
| VSD display area | T_{vd} | 272 | | | H |
| VSD back porch | T_{vb} | 3 | 8 | 31 | H |
| VSD front porch | T_{vfp} | 2 | 8 | 97 | H |
| HSD period time | T_h | 520 | 525 | 800 | DCLK |
| HSD display area | T_{hd} | 480 | | | DCLK |
| HSD back porch | T_{hbp} | 36 | 40 | 255 | DCLK |
| HSD front porch | T_{hfp} | 4 | 5 | 65 | DCLK |

9 Power Sequence

9.1 Power On Sequence

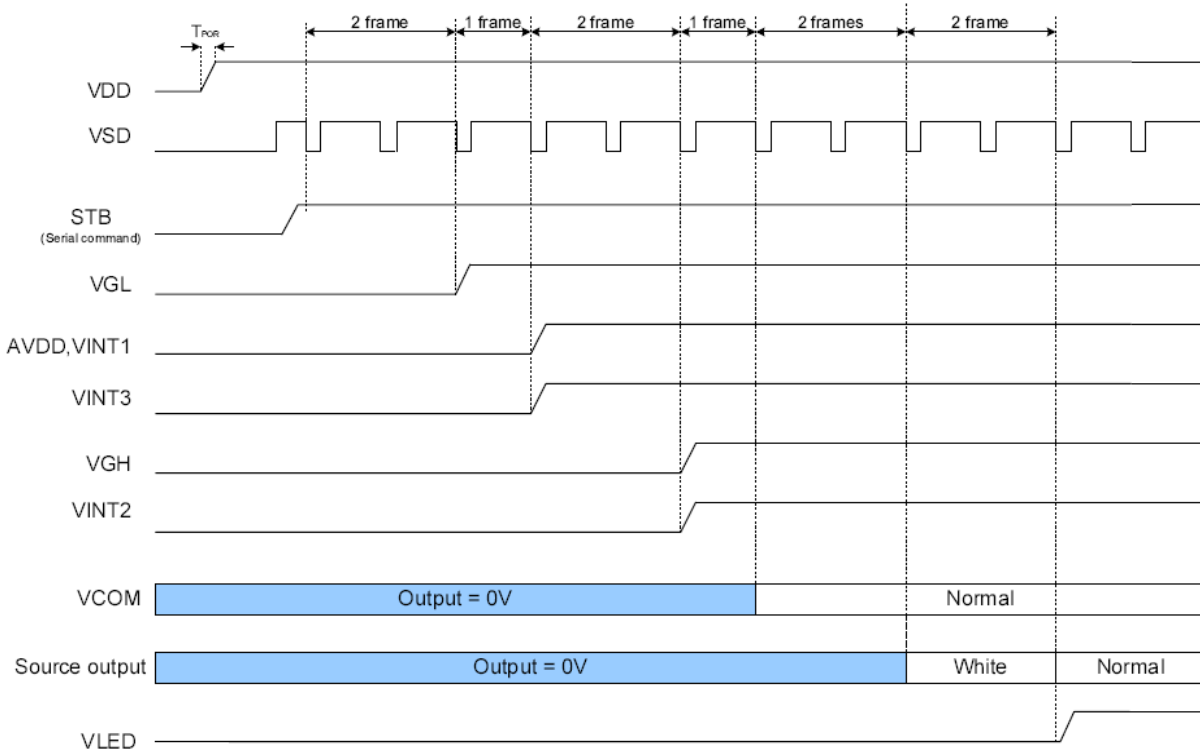


Figure 5: Power On Sequence

9.2 Power Off Sequence

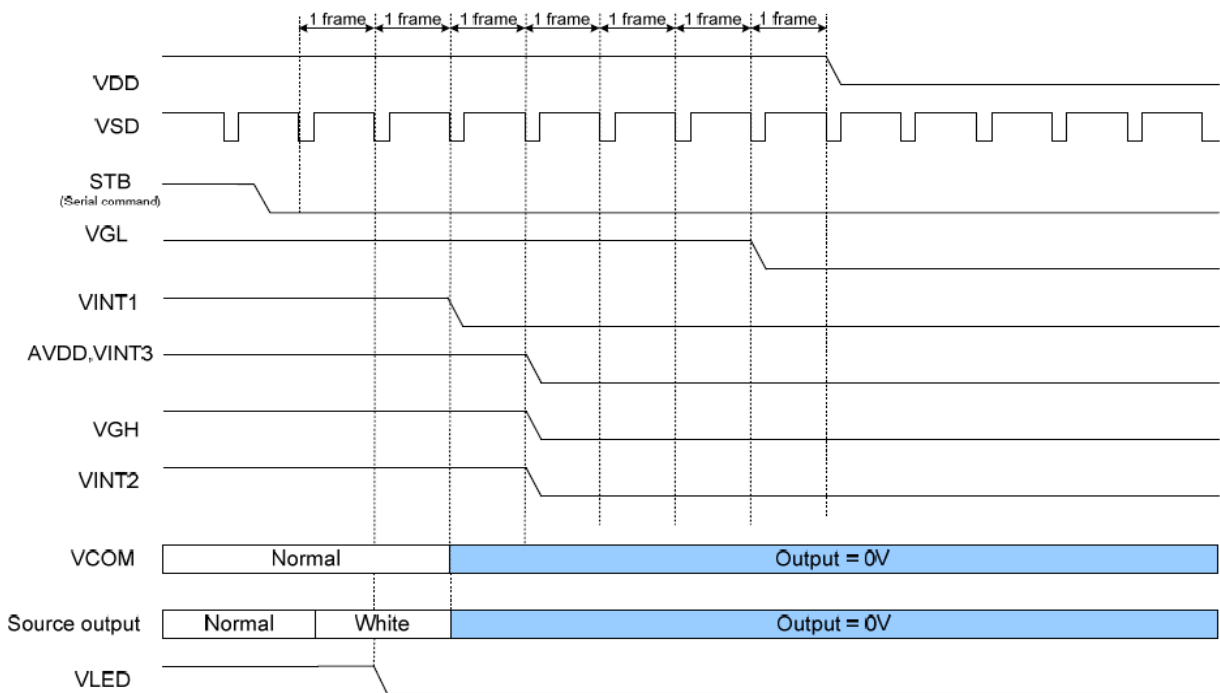


Figure 6: Power Off Sequence



10 Inspection Criterion

10.1 Description

This specification is made to be used as the standard acceptance/rejection criteria for the MOP-TFT480272-43A-BLM-TPN.

10.2 Sample plan

Sampling plan according to GB/T2828.1-2003/ISO 2859-1: 1999 and ANSI/ASQC Z1.4-1993, normal level 2 and based on:

Major defect: AQL 0.65

Minor defect: AQL 1.5

10.3 Inspection condition

- Viewing distance for cosmetic inspection is about $30\pm 5\text{cm}$ with bare eyes, and under a $600\sim 1000\text{lux}$ environment for visual inspection and $0\sim 200\text{lux}$ for function test. All directions for inspecting the sample should be within 45° against perpendicular line. (Normal temperature $18\sim 28^\circ\text{C}$ and normal humidity $60\pm 15\%\text{RH}$).
- During testing, the LCD is driven using the voltage level (Within $\pm 0.5\text{V}$ of the typical value at 25°C .) that provides the most optical contrast

10.4 Definition of inspection zone in LCD

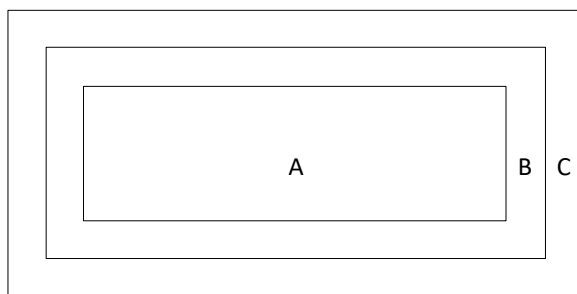


Figure 7: Inspection Zones in an LCD

Zone A: character/Digit area

Zone B: viewing area except Zone A (ZoneA + ZoneB=minimum Viewing area)

Zone C: Outside viewing area (invisible area after assembly in customer's product)

***Note:** As a general rule, visual defects in Zone C are permissible, if it does not affect display quality and assembly of customer's product.

11 Inspection criterion

11.1 Function Defect

| Items to be inspected | Inspection criterion | Classification of defects |
|------------------------|--|---------------------------|
| All functional defects | 1) No display 2) Display abnormally 3) Missing vertical, horizontal segment 4) Short circuit 5) Back-light no lighting, flickering and abnormal lighting. 6) obvious striation 7) Current beyond specification value | MA |
| Missing | Missing component | |
| Outline dimension | Overall outline dimension exceed the drawing is not allowed. | |



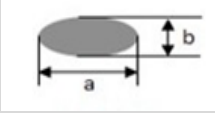
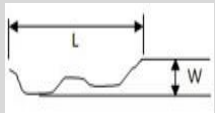
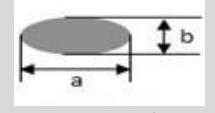
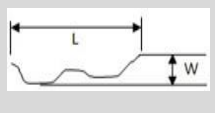
11.2 LCD pixel defect

(bad dot) (defect type: MI)

| Checking item | Judgment criterion |
|-------------------------------------|--------------------------------|
| Color bad dot-bright dot(R,G,B) | 1 |
| two adjacent bright point | 0 |
| three or more adjacent point | 0 |
| total points for bad dot-bright dot | 1 |
| Bad dot-dark dot | 2 |
| two adjacent dark point | 1 |
| three or more adjacent point | 0 |
| total points for bad dot -dark dot | 3 |
| patch bright dot | Invisible with ND5%, it is OK. |

11.3 Dot and line defect

(defect type: MI)

| Checking item | Judgment criterion | | | Figure |
|--|--|---------------|---------------------|--|
| | Diameter(mm)\LCD Size | | S ≤5.0 Inch | |
| Dot defect | D ≤0.1 | | allowed |  $D=(a+b)/2$ |
| | 0.1 < D ≤0.2 | | 4 | |
| | 0.2 < D ≤0.3 | | 0 | |
| | 0.3 < D ≤0.5 | | 0 | |
| | D >0.5 | | 0 | |
| | the distance between the two defect dot: DS ≥5mm | | | |
| line defect | Length(mm) | Width(mm) | Judgement Criterion |  |
| | disregard | W ≤0.05 | allowed | |
| | L ≤5 | 0.05 < W ≤0.1 | 4 | |
| | L >5 | W >0.1 | 0 | |
| Concave point and air bubble for polarizer | Size(mm) | | Judgement Criterion |  $D=(a+b)/2$ |
| | D ≤0.3 | | allowed | |
| | 0.3 < D ≤1.0 | | 3 | |
| | 1.0 < D ≤1.5 | | 1 | |
| | D >1.5 | | 0 | |
| Fold mark, linear scar for polarizer | Length(mm) | Width(mm) | Judgement Criterion |  |
| | disregard | W ≤0.05 | allowed | |
| | 1 < L ≤5 | 0.05 < W ≤0.2 | 3 | |
| | L >5 | W >0.2 | 0 | |
| | <p>*Notes:</p> <ol style="list-style-type: none"> 1. If the fold mark and linear scar for polarizer is visible with operating condition, the defect is judged with line judge 2. If the fold mark and linear scar for polarizer is visible with non-operating condition, the defect is judged with the above judgment standard. | | | |



12 Handling Precautions

12.1 Mounting method

Do not make extra holes in the display or modify its shape. When mounting the display, ensure that the display does not flex, bend or twist. Extreme care should be used when handling the LCD modules.

12.2 LCD Handling and Cleaning Precaution

To clean the display surface, it is recommended to wipe lightly using a soft cloth with either Isopropyl alcohol or Ethyl alcohol.

Do not wipe the display surface with dry or hard materials as it may damage the polarizer surface.

Do not use Water or Aromatics to clean the display.

Do not wipe ITO pad area with dry or hard materials that will damage the ITO patterns

Do not use Soldering flux, Chlorine(Cl), and Sulfur(S) on the pad or prevent it from being contaminated.

If the display is sent without applying a silicon coat on the pad, the ITO patterns could be damaged due to corrosion as time goes on.

If ITO corrosion occurs due to customer miss-handling, or if the customer applies materials such as Chlorine (Cl), Sulfur (S) to the display, the responsibility is placed the customer.

12.3 Static Charge Precaution

The LCD module uses CMOS LSI drivers, so we recommend that you:

- Connect any unused input terminal to VDD or VSS
- Do not input any signals before power is turned on
- Ground your body, work/assembly areas, and assembly equipment to protect against static electricity.

12.4 Packing

The module employs LCD elements and must be treated as such.

- Avoid intense shock and falls from a height.
- To prevent modules from degradation, do not operate or store them exposed direct to sunshine or high temperature/humidity

12.5 Precautions during Operation

- It is an indispensable condition to drive the LCD module within the specified voltage limits. Applying voltage higher than the limit will reduce the life span of the LCD.
- Using direct drive current should be avoided, as it will induce an electrochemical reaction causing undesirable deterioration.
- The LCD's response time will be delayed when operating at a temperature lower than the suggested operating range. When operating at a temperature higher than the suggested range, the LCD will be noticeably darker. The display will return to normal when it is brought back to the specified operation temperature.
- If the display area is pushed hard during operation, some font may be abnormally drawn but the LCD will return to normal after it is reset.
- Slight dew depositing on terminals can cause an electro-chemical reaction, damaging traces and resulting in an open circuit.

Usage under the maximum operating temperature, 50%Rh or less is required



12.6 Storage Recommendations

When storing the LCD for a prolonged period of time, the following recommendations will help prevent damage or deterioration

- Store the display in an ambient temperature range between 10°C to 30°C, and in a relative humidity of 45% to 75%.
- Do not leave the display exposed to sunlight or fluorescent light.
- Place the display in a polyethylene bag with the opening sealed.
- Ensure that nothing is making contact with the polarizer surface.
- It is recommended to store them in the same packaging that was provided upon purchase

12.7 Safety Precautions

In the case that the LCD glass has shattered, it is recommended to remove any glass pieces, wash off the liquid crystal using either acetone or ethanol, and proceed to burn any remaining display pieces.

If any liquid leaked out of a damaged glass cell, and comes in contact with your hands, please wash it off well with soap and water



13 Ordering

13.1 Part Numbering Scheme

Table 1: Parallel TFT Part Numbering Scheme

| MOP | TFT | 480 | 272 | 43 | A | BLM | TPN |
|-----|-----|-----|-----|----|---|-----|-----|
| 1 | 2 | 3 | 4 | 5 | 6 | 7 | 8 |

13.2 Options

Table 2: Parallel Part Options

| # | Designator | Options |
|---|---------------------|--|
| 1 | Product Line | MOP: Matrix Orbital Parallel Display |
| 2 | Screen Type | TFT: Graphic TFT |
| 3 | Display Columns | 480: Four Hundred Eighty Pixel Columns |
| 4 | Display Rows | 272: Two Hundred Seventy Two Pixel Rows |
| 5 | Display Size | 43: 4.3" |
| 6 | Display Form Factor | A: A Form Factor |
| 7 | Brightness Level | -BLS: Brightness < 300 Nit -BLM: 300 Nit < Brightness < 600 Nit -BLH: 600 Nit < Brightness < 1000 Nit -BLD: Brightness > 1000 Nit |
| 8 | Touch Panel Type | TPN: None TPR: Resistive TPC: Capacitive |

14 Contact

Sales

Phone: 403.229.2737

Email: sales@matrixorbital.ca

Support

Phone: 403.204.3750

Email: support@matrixorbital.ca

Online

Purchasing: www.matrixorbital.com

Support: www.matrixorbital.ca

