



MOP-AO162A

Parallel Display Specifications

Revision 1.0

Revision History

Revision	Description	Author
1.0	Initial Release	Divino

Contents

Revision History	1
Contents	2
Features	3
Hardware	3
Drawing	3
Interface	3
Instructions	4
Outline	4
Instruction Table	5
Character ROM	6
Character RAM	8
Timing Characteristics	8
Initialization	9
Specifications	10
Electrical	10
Optical	10
Environmental	10
Troubleshooting	11
Power	11
Brightness	11
Display	11
Communication	11
Precautions	11
Ordering	12
Part Numbering Scheme	12
Options	12
Contact	12

Features

The Matrix Orbital Parallel display series offers a low cost display solution utilizing an industry standard communication interface for simple integration into a wide variety of new and existing applications. The Organic Light Emitting Diode display with a wide viewing angle, software font selection, and optional brightness configuration allows the MOP OLED line to offer a professional display solution with low power impact for any project. The standard alphanumeric font set also allows up to eight custom characters to be saved in display Random Access Memory for a custom design touch.

Hardware

Drawing

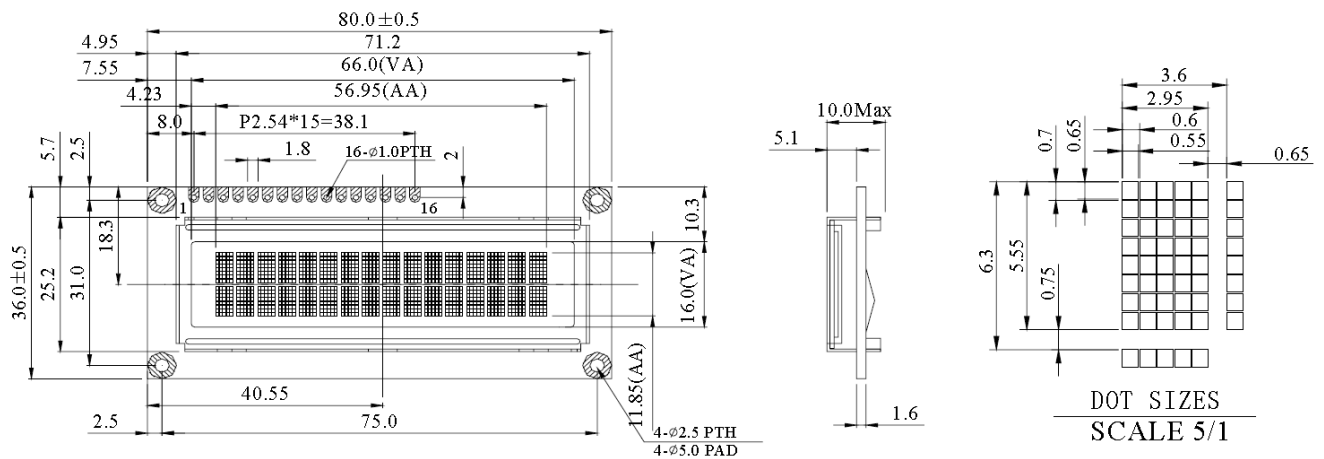


Figure 1: MOP-AO162A Drawing

Interface

Table 1: Display Control

Pin	Symbol	Description
1	V _{SS}	Ground
2	V _{DD}	Supply Voltage for Logic
3	NC/V _B	No Connect/Brightness
4	RS	Register Select
5	R/W	Read/Write
6	CE	Chip Enable
15	NC	No Connect
16	NC	No Connect

Table 2: Parallel Data

Pin	Symbol	Description
7	DB0	*Data bit 0
8	DB1	*Data bit 1
9	DB2	*Data bit 2
10	DB3	*Data bit 3
11	DB4	Data bit 4
12	DB5	Data bit 5
13	DB6	Data bit 6
14	DB7	Data bit 7

*Note: Not used in 4-bit mode

Instructions

Outline

The MOP line is controlled using a WIN0010 compliant controller. The display is enabled by pulling the Chip Enable (CE) pin high, communication to and from the device is controlled using the Read/Write (R/W) input, and one of two available 8-bit registers are selected via the Register Select (RS) line. Using Register Select, either the Instruction Register (IR) or Data Register (DR) is selected by toggling RS low or high respectively.

While executing from the IR, the display will pull the Most Significant Bit of the data bus, DB7, high. While this Busy Flag (BF) is set, any instructions sent to the unit will be ignored. The status of this flag and the current position of the Address Counter (AC) can be obtained by performing a read operation on the instruction register at any time.

Table 3: Register Selection

RS	R/W	Operation
0	0	IR write as an internal operation (display clear, etc.)
0	1	Read busy flag (DB7) and address counter (DB0 to DB6)
1	0	Write data to DDRAM or CGRAM (DR to DDRAM or CGRAM)
1	1	Read data from DDRAM or CGRAM (DDRAM or CGRAM to DR)

When writing for the DR, one of two locations can be chosen using the AC. The value provided to the AC when executing a set address command differentiates these locations. The AC is automatically decremented or incremented after a read or a write.

DDRAM provides eighty bytes of display memory to all displays. Memory outside the bounds of the display area can be used as general RAM. DDRAM addressing begins at the top left of the display with a value of 0, addresses then increment from left to right then down once a row is filled.

Table 4: One Line Addressing

Position	1	2	...	80
DDRAM Address	00	01	...	4F

Table 5: Two Line Addressing

Position	1	2	...	40
DDRAM Address	00	01	...	27
Address	40	41	...	67

Table 6: Four Line Addressing

Position	1	2	...	20
DDRAM Address	00	01	...	13
	40	41	...	53
	14	15	...	27
	54	55	...	67

CGRAM provides eight custom characters that can be created by writing to CGRAM locations then displayed using the first eight CGROM character codes, as seen in the character ROM table below.

Characters are sent to the display by performing a write operation on the DR using the correct character address within CGROM. Instructions are issued by writing to the IR; a complete list is available below.

Instruction Table

Table 7: Parallel Instruction Table

Instruction	Instruction Code										Description
	RS	R/W	DB7	DB6	DB5	DB4	DB3	DB2	DB1	DB0	
Clear Display	0	0	0	0	0	0	0	0	0	1	Write "20H" to all DDRAM locations, set DDRAM address to "00H", return cursor to its original position, and set I/D to "1".
Return Home	0	0	0	0	0	0	0	0	1	0	Set DDRAM address to "00H" and return cursor to its original position if shifted. The contents of DDRAM are not changed.
Entry Mode Set	0	0	0	0	0	0	0	1	I/D	SH	Assign cursor moving direction and enable the shift of entire display. DDRAM and CGRAM addresses are incremented and cursor moves right when I/D is set to "1", the opposite is true when reset to "0". Setting SH to "1" causes the entire display to shift affecting only DDRAM.
Display ON/OFF Control	0	0	0	0	0	0	1	D	C	B	Set display (D), cursor (C), and blinking of cursor (B) on/off control bit. Setting D, C, or B to "1" will cause the display, underline cursor, or blinking cursor to turn on, the opposite is true for reset.
Cursor or Display Shift	0	0	0	0	0	1	S/C	R/L	0	0	Set cursor moving and display shift control bit, and the direction, without changing of DDRAM data. Setting S/L to "1" will shift the screen horizontally while the opposite will move the cursor through all screen positions. Setting R/L to "1" will shift right immediately. AC and DDRAM are not altered.
Function Set	0	0	0	0	1	DL	N	F	FT1	FT0	Set interface data length, numbers of display line and, display font type. Setting DL to "1" specifies 8-bit mode, "0" 4-bit. Setting N to "1" permits a multi-line display, "0" a single. Resetting F to "0" indicates a 5x8 dot character. FT1/FT0 set the character ROM, "00" for English Japanese, or "10" for English Russian.
Set CGRAM Address	0	0	0	1	AG5	AG4	AG3	AG2	AG1	AG0	Set CGRAM address in address counter.
Set DDRAM Address	0	0	1	AD6	AD5	AD4	AD3	AD2	AD1	AD0	Set DDRAM address in address counter.
Read Busy Flag and Address	0	1	BF	AC6	AC5	AC4	AC3	AC2	AC1	AC0	Read the status of the display controller through the BF Bit. The contents of address counter can also be read.
Write Data to RAM	1	0	D7	D6	D5	D4	D3	D2	D1	D0	Write data into internal RAM (DDRAM/CGRAM), location is determined by the AC. AC and display shift are adjusted as specified.
Read Data from RAM	1	1	D7	D6	D5	D4	D3	D2	D1	D0	Read data from internal RAM (DDRAM/CGRAM), location is determined by the AC, set command is recommended previous to this. Only AC is adjusted.

Character ROM

The character generator ROM stores up to two hundred fifty-six 5x8 dot character patterns from 8-bit character codes. The first eight characters are reserved for custom characters saved in CGRAM. One of three different character sets can be selected on initialization.

ENGLISH JAPANESE CHARACTER FONT TABLE (default FT[1:0]= 00)

Upper 4bit / Lower 4bit	LLLL	LLLH	LLHL	LLNH	LHLL	LHLH	LHHL	LNNH	HLLL	HLLH	HLHL	HLNH	HHLL	HHLH	HHHL	HHHH
LLLL	CG RAM (1)	☒	☒	☒	☒	☒	☒	☒	☒	☒	☒	☒	☒	☒	☒	☒
LLLH	CG RAM (2)	☒	☒	☒	☒	☒	☒	☒	☒	☒	☒	☒	☒	☒	☒	☒
LLHL	CG RAM (3)	☒	☒	☒	☒	☒	☒	☒	☒	☒	☒	☒	☒	☒	☒	☒
LLNH	CG RAM (4)	☒	☒	☒	☒	☒	☒	☒	☒	☒	☒	☒	☒	☒	☒	☒
LHLL	CG RAM (5)	☒	☒	☒	☒	☒	☒	☒	☒	☒	☒	☒	☒	☒	☒	☒
LHLH	CG RAM (6)	☒	☒	☒	☒	☒	☒	☒	☒	☒	☒	☒	☒	☒	☒	☒
LHHL	CG RAM (7)	☒	☒	☒	☒	☒	☒	☒	☒	☒	☒	☒	☒	☒	☒	☒
LNNH	CG RAM (8)	☒	☒	☒	☒	☒	☒	☒	☒	☒	☒	☒	☒	☒	☒	☒
HLLL	CG RAM (9)	☒	☒	☒	☒	☒	☒	☒	☒	☒	☒	☒	☒	☒	☒	☒
HLLH	CG RAM (10)	☒	☒	☒	☒	☒	☒	☒	☒	☒	☒	☒	☒	☒	☒	☒
HLHL	CG RAM (11)	☒	☒	☒	☒	☒	☒	☒	☒	☒	☒	☒	☒	☒	☒	☒
HLNH	CG RAM (12)	☒	☒	☒	☒	☒	☒	☒	☒	☒	☒	☒	☒	☒	☒	☒
HHLL	CG RAM (13)	☒	☒	☒	☒	☒	☒	☒	☒	☒	☒	☒	☒	☒	☒	☒
HHLH	CG RAM (14)	☒	☒	☒	☒	☒	☒	☒	☒	☒	☒	☒	☒	☒	☒	☒
HHHL	CG RAM (15)	☒	☒	☒	☒	☒	☒	☒	☒	☒	☒	☒	☒	☒	☒	☒
HHHH	CG RAM (16)	☒	☒	☒	☒	☒	☒	☒	☒	☒	☒	☒	☒	☒	☒	☒

Figure 2: English Japanese Character Set

ENGLISH RUSSIAN CHARACTER FONT TABLE(FT[1:0]=10)

Upper 4bit		LLLL	LLLH	LLHL	LLHH	LHLL	LHLH	LHHL	LHHH	HLLL	HLLH	HLHL	HLHH	HHLL	HHLH	HHHL	HHHH
LLLL	CG RAM (1)	А	В	С	Д	Е	Ж	З	И	Й	К	Л	М	Н	О	П	Р
LLLL	CG RAM (2)	Т	У	Ф	Х	Ц	Ч	Ш	Щ	Ъ	Ы	Э	Ю	Я	а	б	в
LLHL	CG RAM (3)	Г	Д	Е	Ж	З	И	Й	К	Л	М	Н	О	П	Р	С	Т
LLHH	CG RAM (4)	У	Ф	Х	Ц	Ч	Ш	Щ	Ъ	Ы	Э	Ю	Я	а	б	в	г
LHLL	CG RAM (5)	В	Г	Д	Е	Ж	З	И	Й	К	Л	М	Н	О	П	Р	С
LHLH	CG RAM (6)	Г	Д	Е	Ж	З	И	Й	К	Л	М	Н	О	П	Р	С	Т
LHHL	CG RAM (7)	Д	Е	Ж	З	И	Й	К	Л	М	Н	О	П	Р	С	Т	У
LHHH	CG RAM (8)	Е	Ж	З	И	Й	К	Л	М	Н	О	П	Р	С	Т	У	Ф
HLLL	CG RAM (9)	Ж	З	И	Й	К	Л	М	Н	О	П	Р	С	Т	У	Ф	Х
HLLH	CG RAM (10)	З	И	Й	К	Л	М	Н	О	П	Р	С	Т	У	Ф	Х	Ц
HLHL	CG RAM (11)	И	Й	К	Л	М	Н	О	П	Р	С	Т	У	Ф	Х	Ц	Ч
HLHH	CG RAM (12)	Й	К	Л	М	Н	О	П	Р	С	Т	У	Ф	Х	Ц	Ч	Ш
HHLL	CG RAM (13)	К	Л	М	Н	О	П	Р	С	Т	У	Ф	Х	Ц	Ч	Ш	Щ
HHLH	CG RAM (14)	Л	М	Н	О	П	Р	С	Т	У	Ф	Х	Ц	Ч	Ш	Щ	Ъ
HHHL	CG RAM (15)	М	Н	О	П	Р	С	Т	У	Ф	Х	Ц	Ч	Ш	Щ	Ъ	Ы
HHHH	CG RAM (16)	Н	О	П	Р	С	Т	У	Ф	Х	Ц	Ч	Ш	Щ	Ъ	Ы	Э

Figure 3: English Russian Character Set

Character RAM

CGRAM allows the creation of up to eight 5x8 character patterns. Eight bytes are assigned to each character address, the least significant five bits of which represent the five pixel columns. Pixels are activated by setting the bit in their position in CGRAM to “1”.

Each character has eight addresses in CGRAM corresponding to each of its eight pixel rows. The highest three bits represent the character address in DDRAM. The lowest three bits of this address represent the row positions beginning with 0 at the top. The last row will be logically OR'd with the cursor when it is active.

Finally, each character can be referenced in DDRAM and written to the screen using its eight bit address.

Table 8: Relationship between CGRAM Addresses, Character Codes (DDRAM Data) and Character Patterns (CGRAM Data)

Character Codes (DDRAM data)								CGRAM Address								Character Patterns (CGRAM data)										
7	6	5	4	3	2	1	0	5	4	3	2	1	0	7	6	5	4	3	2	1	0					
High				Low				High				Low				High				Low						
0 0 0 0 * 0 0 0								0 0 0								* * *									Character pattern (1)	
																* * *										Cursor position
																* * *										
																* * *										
																* * *										
																* * *										
																* * *										
																* * *										
0 0 0 0 * 0 0 1								0 0 1								* * *									Character pattern (2)	
																* * *										Cursor position
																* * *										
																* * *										
																* * *										
																* * *										
																* * *										
																* * *										
0 0 0 0 * 1 1 1								1 1 1								* * *									Character pattern (3)	
																* * *										Cursor position
																* * *										
																* * *										
																* * *										
																* * *										
																* * *										
																* * *										

Note: * Indicates no effect.

Timing Characteristics

Table 9: Read and Write Operation Specifications

Item	Symbol	Write			Read			Unit
		Min	Typ	Max	Min	Typ	Max	
Enable cycle time	t_{CY}	500	—	—	500	—	—	ns
Enable pulse width (high level)	t_{PW}	250	—	—	250	—	—	ns
Address set-up time (RS, R/W to E)	t_{AS}	20	—	—	20	—	—	ns
Address hold time	t_{AH}	0	—	—	0	—	—	ns
Data set-up time	t_{DS}	40	—	—	—	—	180	ns
Data hold time	t_{DH}	20	—	—	10	—	—	ns

Conditions: $T_a=25^\circ\text{C}$, $V_{DD}=3.0\text{V to }5.3\text{V}$

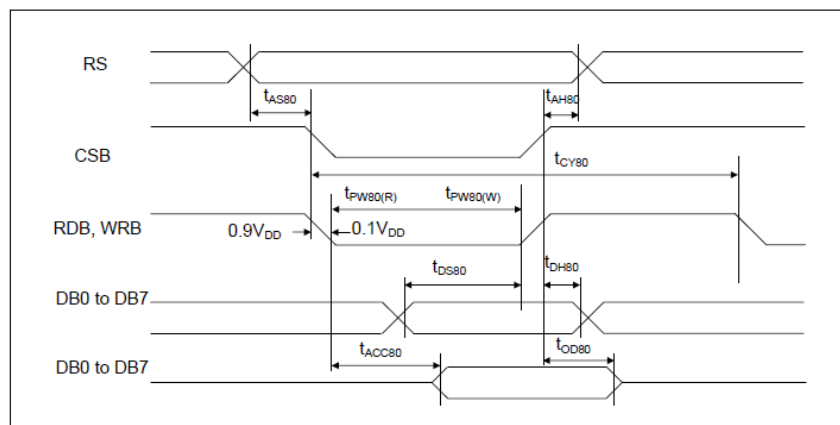


Figure 4: Read/Write Timing

Initialization

Before beginning any application, it is recommended that all display settings be initialized. Below are algorithms for initializing the display in both 8-bit and 4-bit communication modes.

Before the function set command, please allow Vcc to rise to its specified level and settle. After each command is sent, be sure to check the busy flag before issuing the next command. The desired font table can be selected in the first function set command. The unit will always expect a total of 8 bits to be sent, so note the structure used in four bit mode.

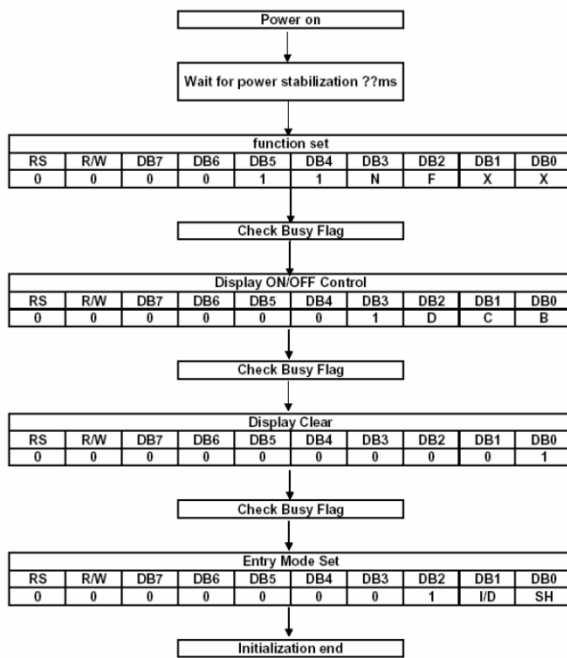


Figure 5: 8-bit Initialization

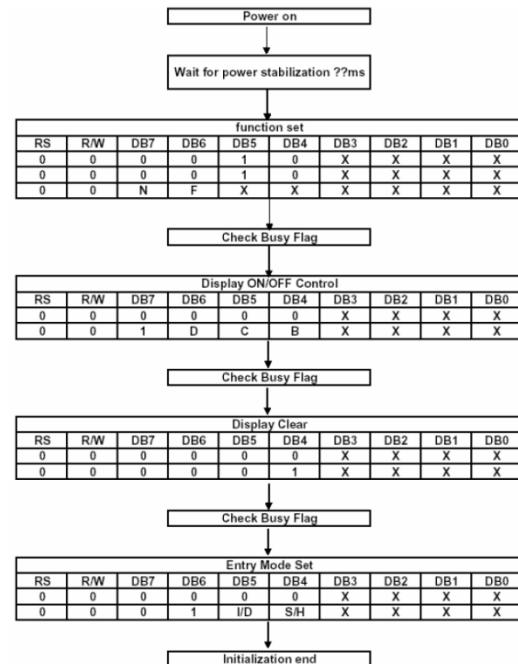


Figure 6: 4-bit Initialization

Note: X Indicates do not care condition.

Specifications

Electrical

Table 10: Electrical Characteristics

Item	Symbol	Min	Typ	Max	Unit
Supply Voltage For Logic	V_{DD}	3.0	5.0	5.3	V
Input High Volt.	V_{IH}	$0.9 V_{DD}$	—	V_{DD}	V
Input Low Volt.	V_{IL}	V_{SS}	—	$0.1 V_{DD}$	V
Supply Current ($V_{DD}=5V$)	I_{DD}	—	30	—	mA

Optical

Table 11: Display Characteristics

Item	Dimension	Unit
Number of Characters	16 Characters x 2 Lines	—
Module dimension	80.0 x 36.0 x 10.0	mm
View area	66.0 x 16.0	mm
Active area	56.95 x 11.85	mm
Character size	2.95 x 5.55	mm
Character pitch	3.60 x 6.30	mm
Dot size	0.55 x 0.65	mm
Dot pitch	0.60 x 0.70	mm
Duty	1/16	

Table 12: Viewing Characteristics

Item	Symbol	Min	Typ	Max	Unit
View Angle	$(V)\theta$	-80	—	80	deg
	$(H)\phi$	-80	—	80	deg
Contrast Ratio	CR	—	2000	—	—
Brightness	B	—	125	—	nits
Response Time	T rise	—	—	10	μs
	T fall	—	—	10	μs

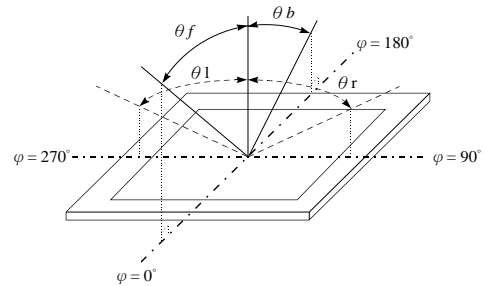


Figure 7: Viewing Angle Definition

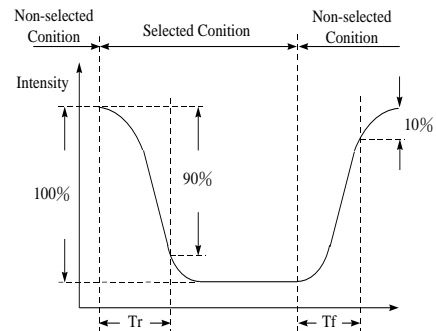


Figure 8: Display Response Time

Environmental

Table 13: Environmental Specifications

Item	Symbol	Min	Max	Unit
Operating Temp.	Top	-40	80	$^{\circ}C$
Storage Temp.	Tstr	-40	80	$^{\circ}C$

Note: Maximum 90% non-condensing humidity.

Troubleshooting

Power

For your MOP Display to function correctly, appropriate power must be applied. However, the screen may not provide visual information until it has been initialized. Please refer to the power specifications provided above.

Brightness

Display brightness is fixed at the maximum value via a 0 ohm resistor labelled JV. However, with modifications a PWM signal can be used to adjust brightness via pin 3. To enable this feature, move the 0 ohm resistor from the JV pads to the JVO pads, and apply a PWM signal to pin 3 of the 16 pin header. Please ensure the PWM signal voltage is never greater than 5V.

Display

If your display is powered successfully, and initialized correctly, characters may be printed to the screen. If the brightness input has been modified, a lack of text could be the result of a low brightness setting. Also, ensure the expected DDRAM addresses are shown by moving the display to the home position.

Communication

When communication of either text or commands is interrupted, check all data and control pins for continuity. Ensure the display has been initialized correctly before sending information using the appropriate initialization algorithm. For 4-bit mode ensure D4-D7 are used. Finally, slow down communication and refer to timing diagrams and specifications for proper control flow.

Precautions

- Do not make extra holes on the display, modify its shape, or change the components.
- Avoid applying excessive electrical shock to the module.
- Do not drop, bend, twist, or disassemble the display.
- Avoid operation outside absolute maximum ratings.
- Solder only to the I/O terminals provided.
- Store in an anti-static container within a clean environment.

Ordering

Part Numbering Scheme

Table 14: Parallel Part Numbering Scheme

MOP	A	O	16	2	A	B	B	P	P	5	I
1	2	3	4	5	6	7	8	9	10	11	12

Options

Table 15: Parallel Part Options

#	Designator	Options
1	Product Line	MOP: Matrix Orbital Parallel Display
2	Display Type	A: Alphanumeric
3	Screen Type	O: Organic Light Emitting Diode
4	Display Columns	08: Eight Character Columns 16: Sixteen Character Columns 20: Twenty Character Columns 40: Forty Character Columns
5	Display Rows	2: Two Character Rows 4: Four Character Rows
6	Display Form Factor	A: A Form Factor B: B Form Factor C: C Form Factor
7	IC Package	B: Chip on Board
8	Colour	B: Blue G: Green R: Red W: White Y: Yellow
9	Polarizer Style	P: With Polarizer N: No Polarizer
10	Display Mode	P: Passive Matrix A: Active Matrix
11	Input Voltage	5: 5.0V
12	Temperature Range	I: Industrial

Contact

Sales

Phone: 403.229.2737

Email: sales@matrixorbital.ca

Support

Phone: 403.204.3750

Email: support@matrixorbital.ca

Online

Purchasing: www.matrixorbital.com

Support: www.matrixorbital.ca