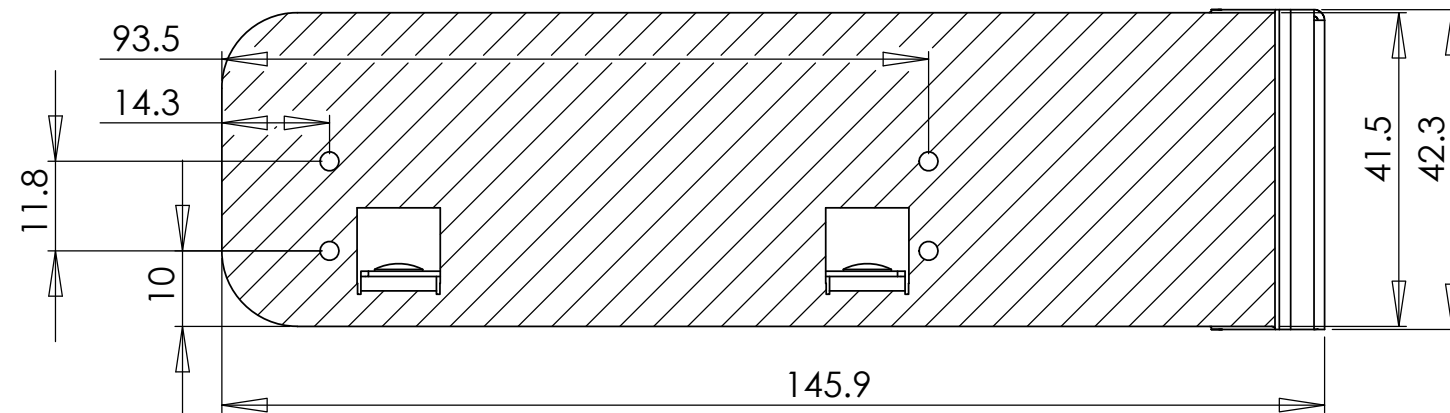


REVISIONS				
ZONE	REV.	DESCRIPTION	DATE	APPROVED



Specifications (Module Mechanical)

Description		Units
Module Size (LxWxH)	138 x 38 x 28.2	mm
Bezel Height	14.9	mm
Visual Area (V.A.)	98 x 23	mm
Application Area (A.A.)	93.57 x 24.93	mm
Pixel Size	0.36 x 0.36	mm
Graphic Matrix (W x H)	240 x 64	Pixels

Specification (Insert) Based on 1U Standard

Insert Size	145.9 x 148 x 42.3	mm
Material	Aluminum	
Finish	Hard Black Anodization	

Specification (Electrical)

Description	Min	Avg	Max	Units
Input Voltage (USB)		5		V
Current Requirments	210	310	375	mA
Interface	USB 1.1 / 2.0 (Max Full Speed)			
Enviromental Conditions	0		50	deg. Cel.

Ordering Information

MO Part Number	Description
GX24064-TC-BBI	Tri Color display with black aluminum bay insert.
GX24064-WB-BBI	Inverse blue display with black aluminum bay insert.



PROPRIETARY AND CONFIDENTIAL

THE INFORMATION CONTAINED IN THIS DRAWING IS THE SOLE PROPERTY OF MATRIX ORBITAL. ANY REPRODUCTION IN PART OR AS A WHOLE WITHOUT THE EXPRESSED WRITTEN PERMISSION OF MATRIX ORBITAL IS STRICKLY PROHIBITED.

MATERIAL	UNLESS OTHERWISE SPECIFIED:	TITLE: GX Datasheet		
FINISH	DIMENSIONS ARE IN mm	SIZE	DWG. NO.	REV
Printed On:	TOLERANCES:	A3	LK24064 DS	
8/11/2008	FRACTIONAL ± 0.1	DO NOT SCALE DRAWING SCALE: 1:1 WEIGHT:		
Drawn By:	TWO PLACE DECIMAL ± 0.01	SHEET 1 OF 1		
Brian Ingwersen	THREE PLACE DECIMA ± 0.001			
	ANGULAR: MACH ± 0.5°			