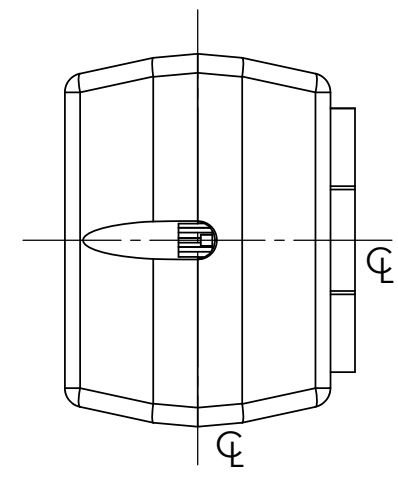
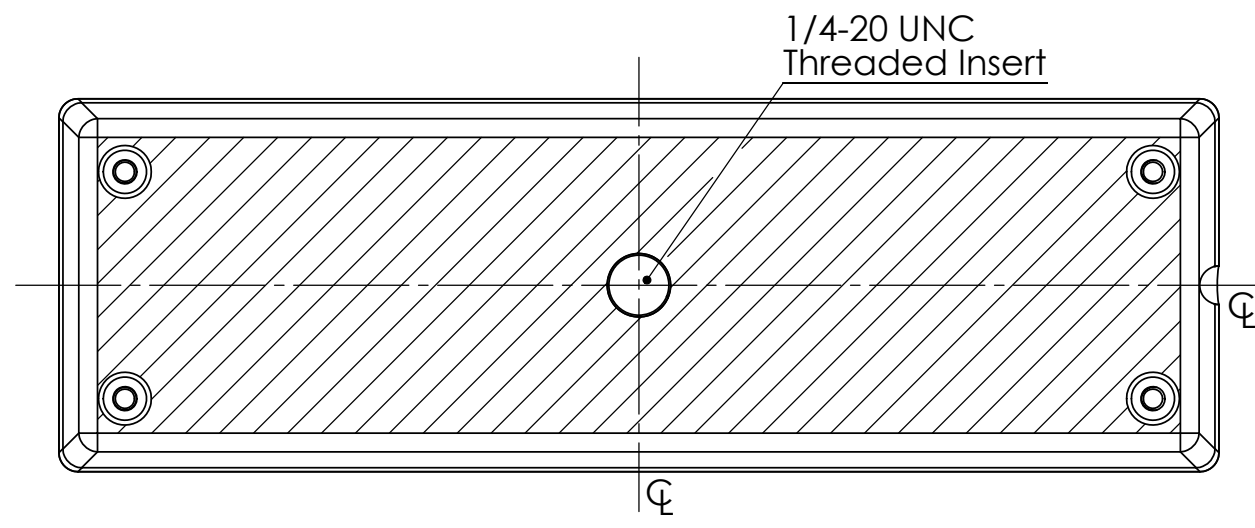
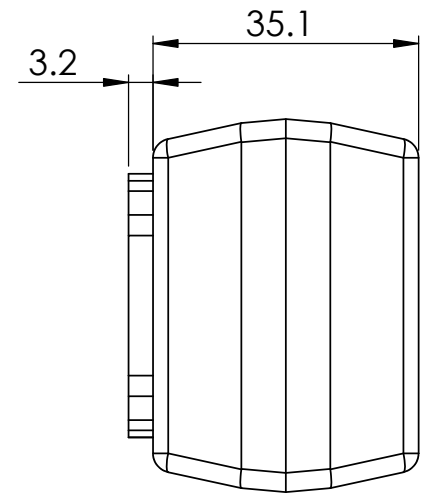
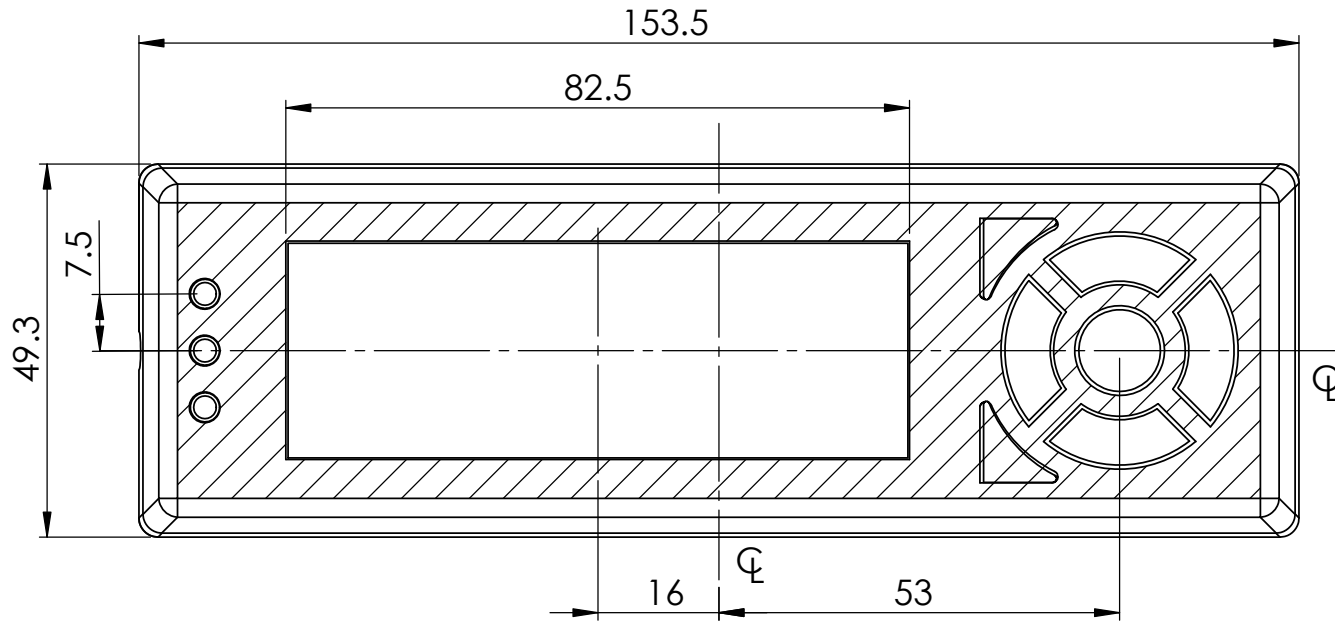


REVISIONS				
ZONE	REV.	DESCRIPTION	DATE	APPROVED
		Initial Release	April 2012	



"☉" denotes Center Line



PROPRIETARY AND CONFIDENTIAL

THE INFORMATION CONTAINED IN THIS DRAWING IS THE SOLE PROPERTY OF MATRIX ORBITAL. ANY REPRODUCTION IN PART OR AS A WHOLE WITHOUT THE EXPRESSED WRITTEN PERMISSION OF MATRIX ORBITAL IS STRICTLY PROHIBITED.

MATERIAL	UNLESS OTHERWISE SPECIFIED:	TITLE: ELK204-7T-1U-PL		
FINISH	DIMENSIONS ARE IN mm	SIZE	DWG. NO.	REV
Printed On:	TOLERANCES:	A3		1.0
4/24/2012	FRACTIONAL ± 0.1 TWO PLACE DECIMAL ± 0.01 THREE PLACE DECIMAL ± 0.001 ANGULAR: MACH ± 0.5°			
Drawn By:	Brian Ingwersen	DO NOT SCALE DRAWING SCALE: 1:1 WEIGHT:		SHEET 1 OF 1