



# Matrix Orbital

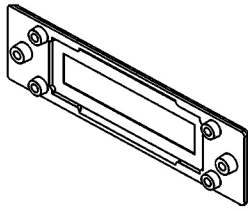
Mounting Bezel Instructions  
BEZ-202C-V1-W-OEM

## Contact

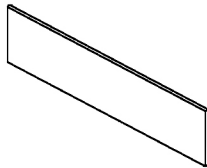
[support@matrixorbital.ca](mailto:support@matrixorbital.ca)  
[sales@matrixorbital.ca](mailto:sales@matrixorbital.ca)  
(403) 229-2737  
[www.matrixorbital.ca](http://www.matrixorbital.ca)  
[www.matrixorbital.com](http://www.matrixorbital.com)  
[www.lcdforums.com](http://www.lcdforums.com)

# Package Contents

This version of Matrix Orbital's mounting bezel does not come with any hardware or accessories. All screws and hardware are to be supplied by the user. A printable copy of the cut out guide can be found at: [www.matrixorbital.ca](http://www.matrixorbital.ca), in the manuals section.



Bezel



Window

For mounting all models, the following hardware is required:

- 2, #4-40 x 1/8" Screws
- 2, Cup Washers

For most models, the following is also required:

- 4, #4-40 x 5/8" Screws
- 4, 6mm Spacers

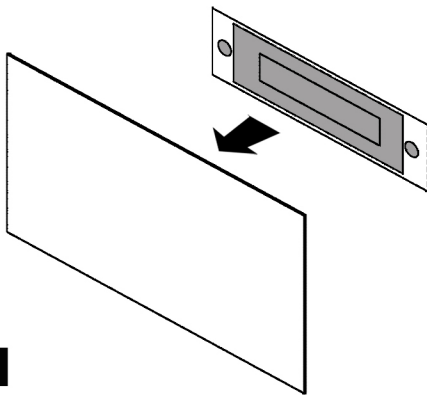
For OK Series, the following is also required:

- 4, #4-40 x 3/8" Screws
- 4, 1/16" Spacers

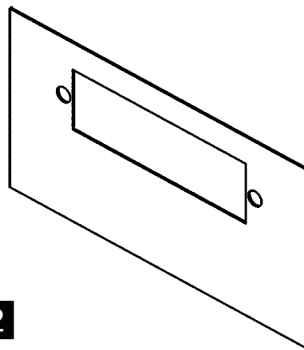
For LK Series, the following is also required:

- 4, #4-40 x 3/8" Screws
- 4, 6mm Spacers

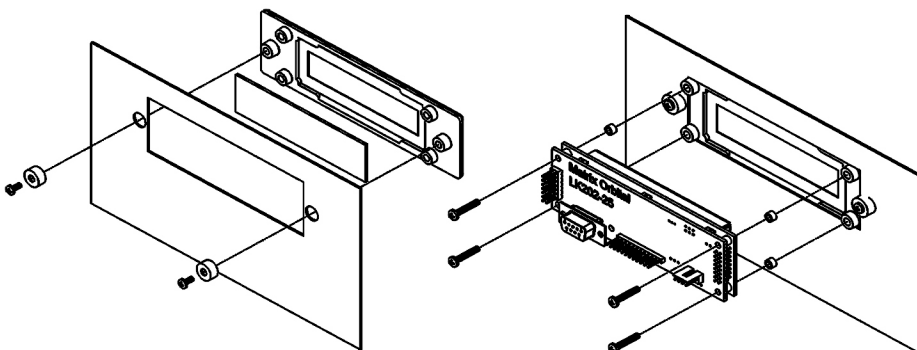
# Directions



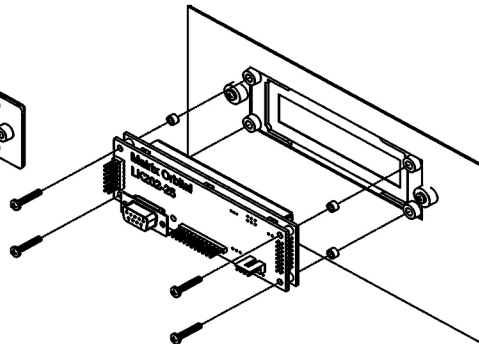
1



2



3



4

Before starting, choose location on panel for Bezel, ensuring adequate clearance inside of enclosure.

- 1 Place Cut Out Guide on outside of panel at desired location, using the text for correct orientation.
- 2 Cut hole along solid lines, removing shaded area. Drill out circular areas using 9.5mm or 3/8" bit. Remove Cut Out Guide.
- 3 Remove protective film from Window. Affix Window to Bezel. Attach Bezel to panel using Cup Washers and 1/8" Screws. Be careful to not over tighten.
- 4 Attach display to Bezel using appropriate Screws and Spacers.